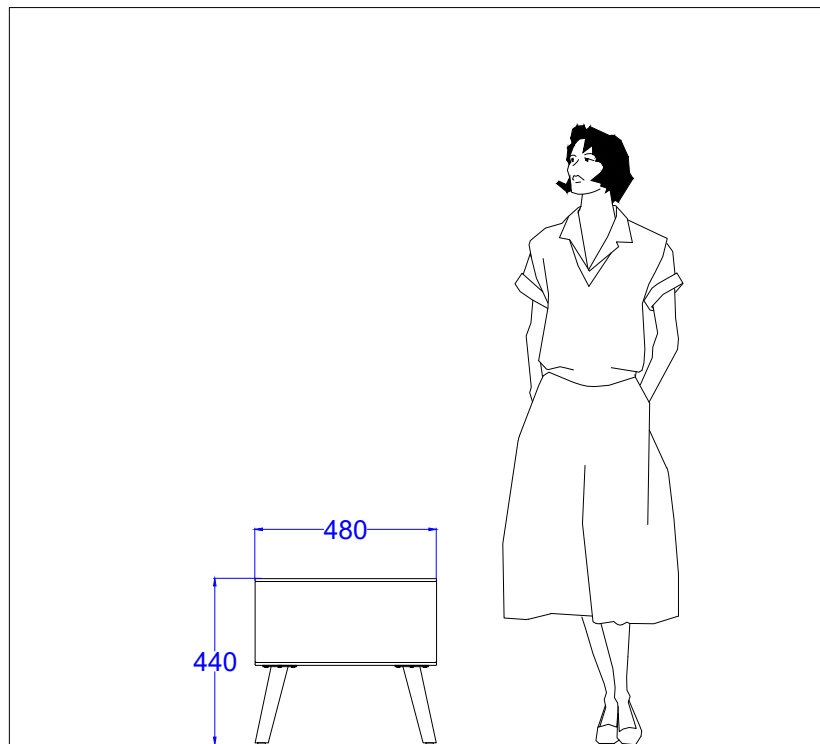
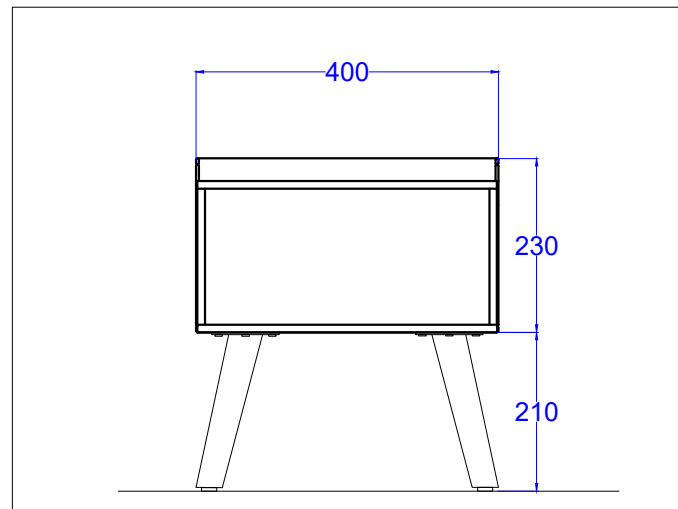


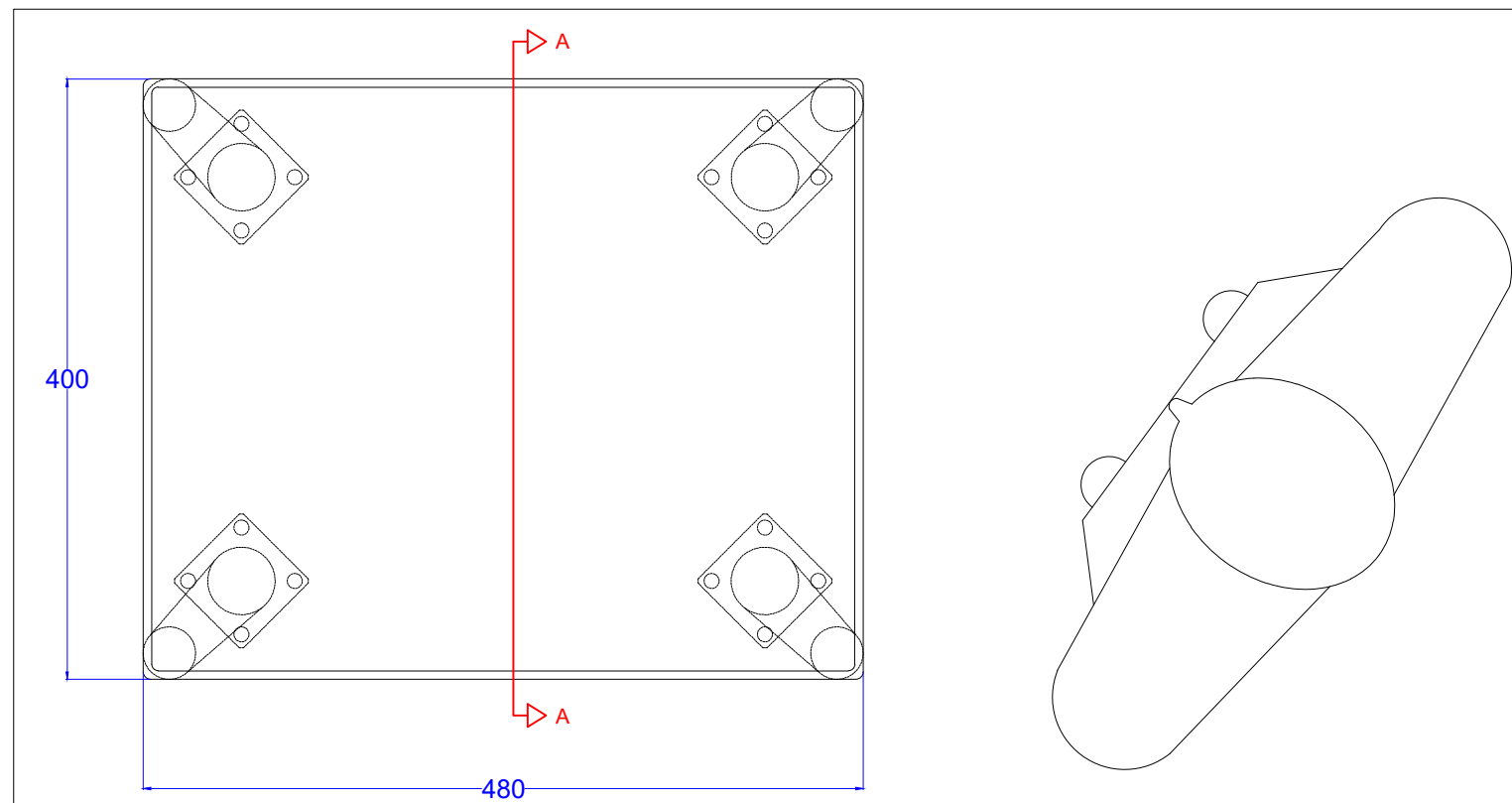
Footstool



Elevation 1:20



Section A 1:10



Plan 1:5

General Notes

Plotted on a3

Do not scale off the printout

No.	Revision/Issue	Date

Unit / Part / Exercise
Unit 2 / Part 2 / Exercise 6a
An Object with a use
(footstool)

Student name
Agnieszka Frodel-Shuttleworth

Date
28/02/2022

Sheet
1

Scale
As annotated